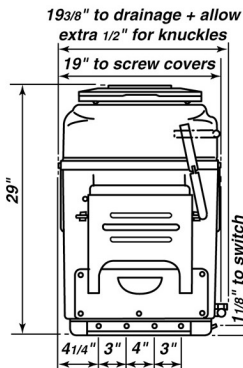
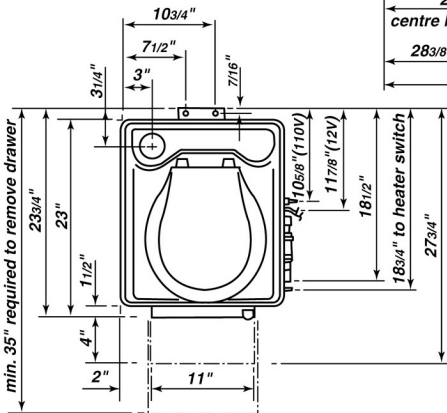
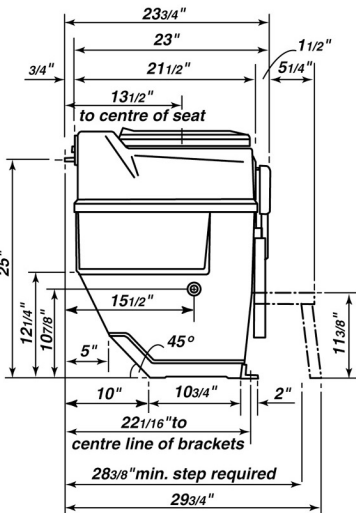


## FRONT ELEVATION



## SIDE ELEVATION



## PLAN ELEVATION